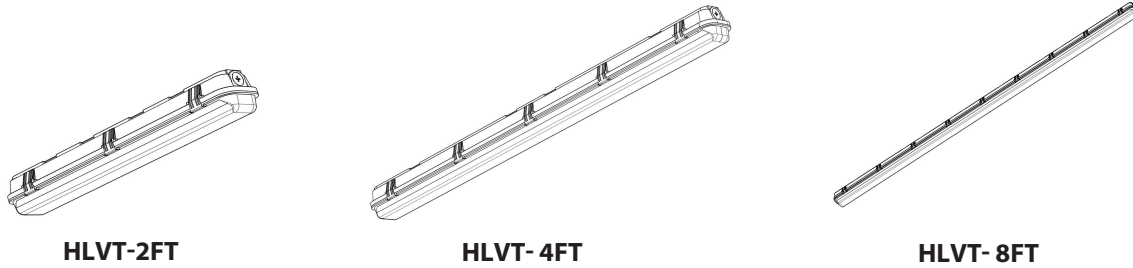


ProLED® Linear Vaportight-HLVT Series Installation Instructions



IMPORTANT

READ CAREFULLY BEFORE INSTALLING FIXTURE. RETAIN THESE INSTRUCTIONS FOR FUTURE REFERENCE.

Fixtures must be wired in accordance with the National Electrical Code and all applicable local codes. Proper grounding is required for safety. THIS PRODUCT MUST BE INSTALLED IN ACCORDANCE WITH THE APPLICABLE INSTALLATION CODE BY A PERSON FAMILIAR WITH THE CONSTRUCTION AND OPERATION OF THE PRODUCT AND THE HAZARDS INVOLVED.

WARNING: Make certain power is OFF before installing or maintaining fixture. No user serviceable parts inside.

SURFACE MOUNTING

The fixture is suitable for outdoor applications in wet locations either ceiling or wall mounted.

1. Use appropriate mounting hardware (not supplied) to secure the **Snap On Brackets** to mounting surface. Refer to recommended **Snap On Bracket** in **Fig. 1** for HLVT 2ft and **Fig 2** for HLVT 4FT&8FT.

WARNING: Mount Snap On Brackets symmetrical about the center as shown in **Fig. 1** and **Fig. 2**. **Snap On Brackets** must be aligned with each other to secure **Housing**.

2. In order to use an alternate entry point for HLVT 4FT & 2FT & 8FT, follow below steps 3-7.
3. Unlatch the **Lens** from **Housing**.
4. Snap out the **LED & Heat Sink Assembly**. **Tether Cables** (2 for HLVT 2ft & 4ft and 4 pc on HLVT 8ft) are provided, if required.
5. Feed supply wires through one of the Conduit Plugs (5) to make electrical splices. Cord-grips (2) are provided and can be used based on application
6. Use appropriate UL approved wire connectors as required by code to complete wiring with supply wires. Be careful not to pinch wires. Quick connector is provided for easy installation, if required.

WARNING: To prevent wiring damage or abrasion, do not expose wiring to edges of sharp objects.

7. Snap in **LED and Heat Sink Assembly** and secure **Lens** to **Housing** by **Latch**. Be careful not to pinch wires. Check that gasket is fully sealed.
8. Snap **Housing** on **Snap On Brackets** as shown in **Fig. 3**.
9. Use silicone or teflon tape on all conduit entry points.

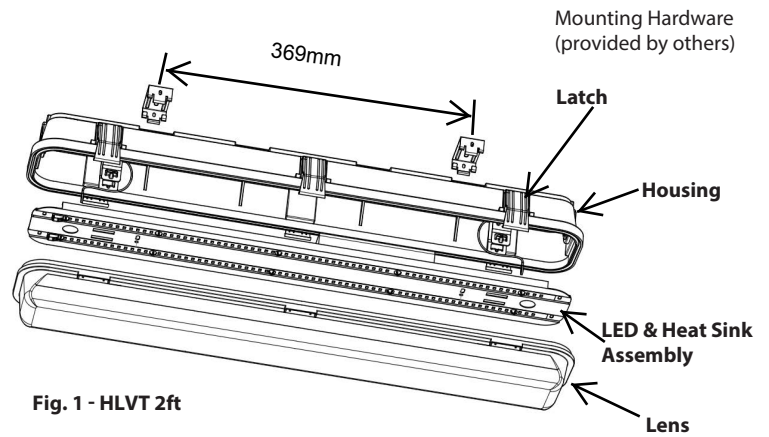


Fig. 1 - HLVT 2ft

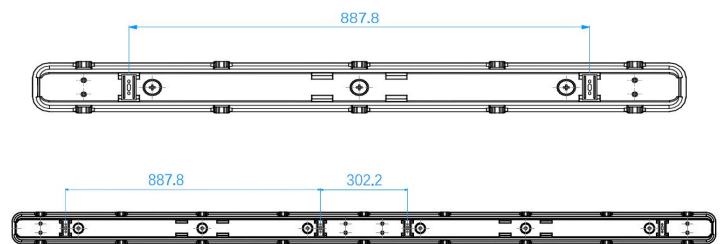


Fig. 2 - HLVT 4FT & 8FT

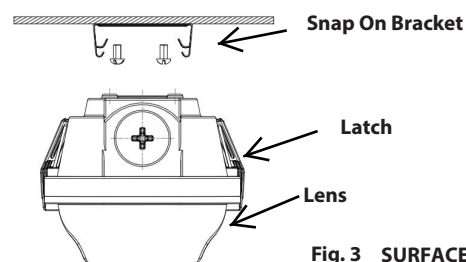


Fig. 3 SURFACE MOUNTING

ProLED® Linear Vaportight-HLVT Series Installation Instructions



V-HOOK MOUNTING

Suspend **Housing** to sturdy ceiling structure as follows:

1. Snap **Housing** on **Snap On Brackets** as shown in **Fig. 3**.
2. In order to use an alternate entry point for HLVT 2ft & 4ft & 8ft, follow steps 3-7 under Surface Mounting section.
3. **V Hooks** (2 pc on HLVT 2ft & 4ft and 4 pc on HLVT 8ft) are provided for chain mounting. Loop **V-Hooks** through **Snap On Bracket** at back of **Housing** as in **Fig. 4**.
4. Connect to two (for HLVT 2ft & 4ft and 4 pc on HLVT 8ft) equal lengths of chain (by others) and/or appropriate hardware (by others) suitable for mounting surface, to suspend Housing from V Hooks.
5. Fixture mounting height and spacing should be determined by application requirements. Use chain suitable to support four (4) times the weight of the fixture.
6. Use silicone or teflon tape on all conduit entry points.

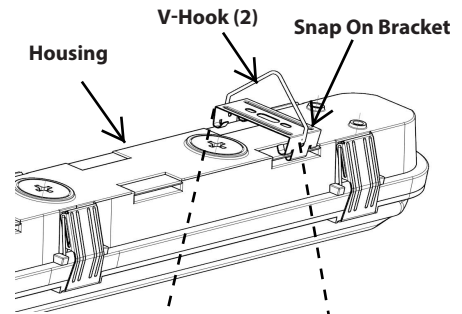
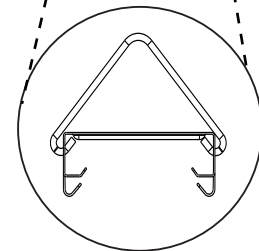


Fig. 4 V-HOOK MOUNTING



ACCESSORIES - J-BOX MOUNTING (ordered separately) - Fig.6

1. Use appropriate mounting hardware (not supplied) to secure the **Junction Box Plate**(Fig. 5)to mounting surface or junction box.
2. Snap Housing on Snap On Junction Box Bracket as shown in Fig. 6.
3. Check that gasket is fully sealed. Use Cord Grip provided with fixture to feed supply wires in fixture.

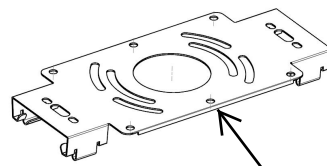
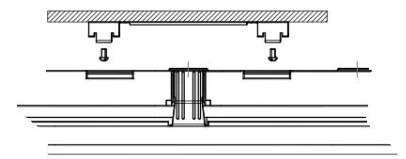


Fig. 5

Junction Box Plate



SURFACE MOUNTING

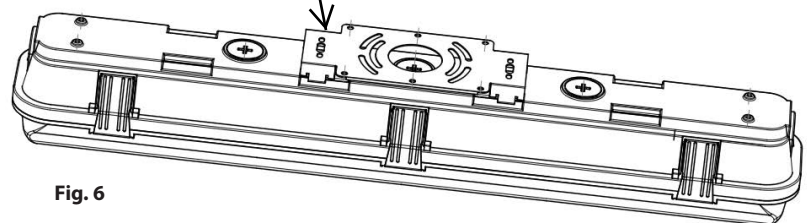


Fig. 6

ProLED® Linear Vaportight-HLVT Series Installation Instructions



ACCESSORIES - ANGLE MOUNTING

(ordered separately) - Fig. 7 and 8

1. Use appropriate mounting hardware (not supplied) to secure the **Corner Bracket (2)** to mounting surface as shown in **Fig. 7**. **Corner Bracket** must face towards each other. Recommended **Corner Bracket** distance center to center is 14-13/25" (for 2 ft) and 34-19/20" (for 4 ft & 8ft).
2. Secure **Snap On Bracket (2)** (supplied standard with Housing) to **Corner Bracket (2)** with **Screws** provided as shown in **Fig. 7**.
3. Snap **Housing** on **Snap On Brackets (2)** as shown in **Fig. 2, Page 1**. Ensure that **Housing** is secure to **Snap On Brackets (2)** onto the grooves on **Lens** as shown in **Fig. 1, Page 1**.

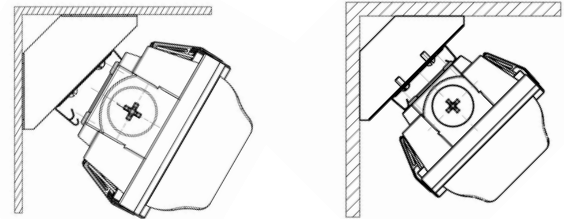
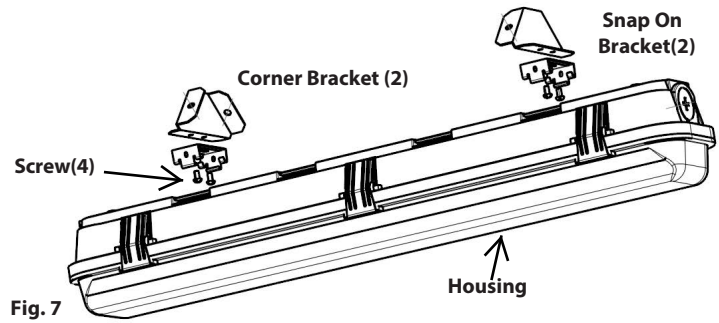


Fig. 8 ANGLE MOUNTING

0-10V DIMMABLE WIRING

Universal voltage driver permits operation at 120V thru 277V, 50 or 60 Hz. For 0-10V Dimming, follow the wiring directions in **Fig. 9**.

1. Connect the black fixture lead to the LINE supply lead.
2. Connect the white fixture lead to the COMMON supply lead.
3. Connect the GROUND wire from fixture to supply ground.
4. Connect the purple fixture lead to the (V+) DIM lead.
5. Connect the gray fixture lead to the (V-) DIM lead.
6. Cap the yellow fixture lead, if present. Do NOT connect.

NOTE: Do not connect DIM V+ (purple)/ DIM V- (gray) to line voltage or supply ground.

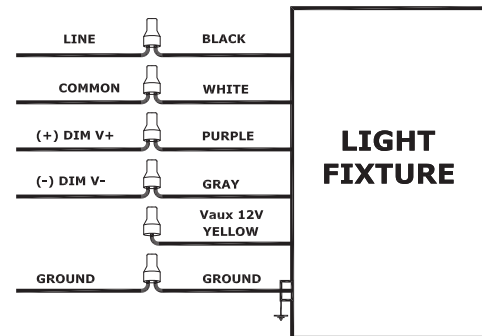


Fig. 9

The Installation must be carried out by a qualified electrician.

Warranty Information:

This product is warranted for five years from the date of purchase.

If this product does not perform to the specifications supplied on this package, send an email or write to the address below for product return and replacement. This replacement is the sole remedy available.

Liability for incidental or consequential damage is expressly excluded.

Visit www.halcolighting.com for full warranty details and compatibility information.